



■ AC Plug Type for Wall Mount Type

AC plug type	2 pin Euro	2 pin USA	2 Pin China	2 pin AU	2 pin JP	2 pin KR	2 pin AR	3 pin UK	3 pin South Africa	Interchangeable
Shape No(1).	KRE36E	KRE36U	KRE36C	KRE36S	KRE36J	KRE36K	KRE36R	KRE36BS	KRE36Z	KRE36I

■ AC inlet Type for Desktop Type

Insulation Class	Class I	Class I	Class II
AC inlet type	3 pole IEC320-C6	/	2 pole IEC320-C8
Shape No(1)..	KRE36A-C6	KRE36A-C14	KRE36B

■ Features

- Universal AC input Full range
- 2 pole US, EU, AU/NZ, EK, JP, AR, CN and 3 pole UK or ZA plug, Class II power unit
- No load power consumption < 0.1W
- Energy efficiency Level VI
- Comply with EISA 2007 / DoE and NRCan
- Protections: Short circuit / Overload / Over voltage
- Fully enclosed plastic case
- Wide range working temperature

■ Applications

- Consumer electronic devices
- Telecommunication devices
- Office facilities
- Industrial equipment
- General Appliance Class B or II



■ Description

KRE36x is a highly reliable, 36W wall-mounted and desktop style single-output green adaptor series. This product is a class II power unit (no FG), also Class I power unit, equipped with standard AC power plug, adopting the input range from 90VAC to 264VAC. The entire series supplies different models with output voltages ranging between 5VDC and 24VDC that can satisfy the demands for various types of

consumer electronic devices.

■ **Mechanical Characteristics**

- see below Dimension Diagrams

■ **Characteristics**

Input:

AC Input Voltage Rating

100 to 240VAC

AC Input Voltage Range

90 to 264VAC

AC Input Frequency

47 to 63Hz

Leakage Current

0.25A maximum at 264VAC

Inrush Current (Cold Start at ambient 25° C)

30A for 120VAC and maximum load 60A for 240VAC
at maximum load

Input Power Saving

0.1W maximum at no load

Output: Efficiency

Meet energy saving efficiency level VI.

Hold-up Time

10mS minimum at 120VAC and maximum load

Environmental Temperature

Operation 0 to +40° C

Non-operation -40 to +85° C

Humidity 10-90% non-condensing

Short-Circuit Protection

Auto restart

Emissions

Complies with FCC Class B Complies with EN55032 Class B

Immunity

AN/NZS CISPR22

EN55024 J55022(H22)

EN61000-4-2 Level EN61000-4-3 Level

EN61000-4-4 Level EN61000-4-5 Level

EN61000-4-6 Level EN61000-4-8 Level

EN61000-4-11 Level EN61000-3-2 Level

EN61000-3-3 Level

GB9254+GB1762

Dielectric Withstand (Hi-pot) Test Primary to Secondary:

3500V AC for 1 min., 10mA

Primary to F.G.: 1500V AC for 1 min., 10mA

DC Output Connector

2.1 x 5.5mm Center Positive+ Standard or equivalent,

Or see *KRE-connectors-Spec.pdf*

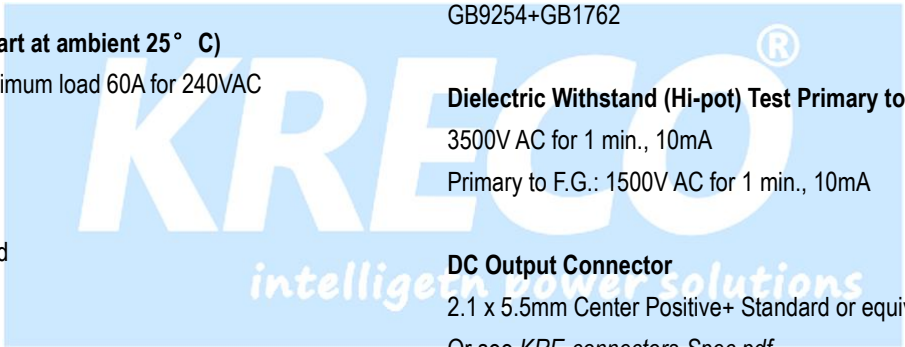
<https://www.kreco.com.cn/view.php?id=1285>

Output Cable

1.5 meter (4.92 feet), UL2468, from 24-16AWG gauge or equivalent

Mating Connector

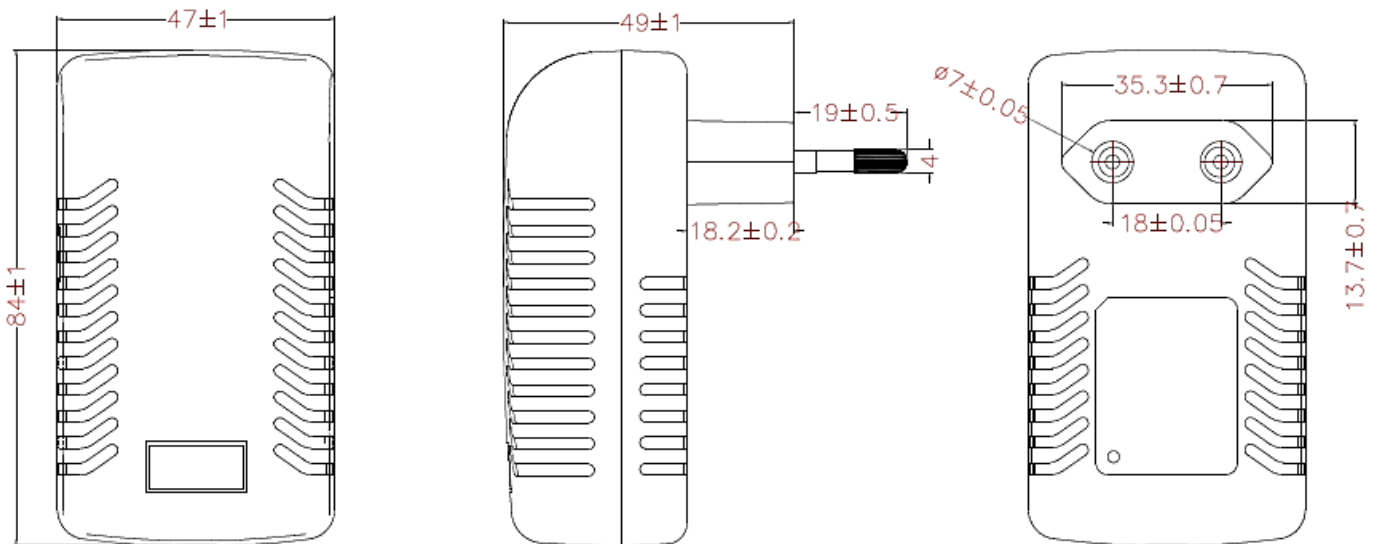
Equivalent



■ Output Specifications

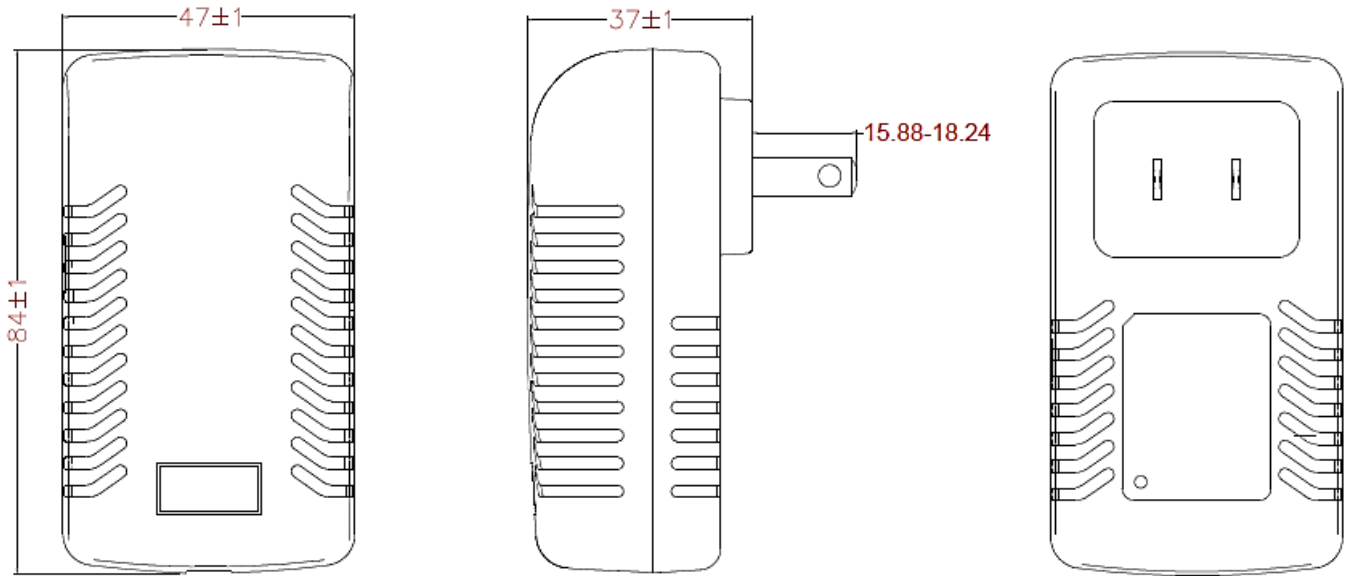
KRECO P/N (see note)	DC Output Voltage	Load		Output Power	Safety Approvals	Energy Saving Level	Standards
		Min	Max				
KRE036SPS-xxxxyyzf or KRE-xxxxyyZ or LY036SPS-xxxxyyzf	5.0- 8.9V	0.01A	4.5A	36W max.	CCC/CQC,UL/CUL/FCC,CE/GS/EMC,RC M,TUV/BS,EK,PSE	V&VI	EN/IEC/UL62368 /UL1310
	9.0- 15V	0.01A	3.0A	36W max.	CCC/CQC,UL/CUL/FCC,CE/GS/EMC,RC M,TUV/BS,EK,PSE	V&VI	EN/IEC/UL62368 /UL1310
	15.1- 24V	0.01A	2.38A	36W max.	CCC/CQC,UL/CUL/FCC,CE/GS/EMC,RC M,TUV/BS,EK,PSE	V&VI	EN/IEC/UL62368 /UL1310
	5.0- 8.9V	0.01A	4.5A	36W max.	CCC/CQC	V&VI	GB4943/8898/4706
	9.0- 15V	0.01A	3.0A	36W max.	CCC/CQC	V&VI	GB4943/8898/4706
	15.1- 24V	0.01A	2.38A	36W max.	CCC/CQC	V&VI	GB4943/8898/4706
	9.0- 15V	0.01A	3.0A	36W max.	BSMI	V&VI	
	5.0- 8.9V	0.01A	4.5A	36W max.	CE/GS/EMC,TUV/BS	V&VI	EN/IEC60335/6155 8
	9.0- 15V	0.01A	3.0A	36W max.	CE/GS/EMC,TUV/BS	V&VI	EN/IEC60335/6155 8
	15.1- 24V	0.01A	2.38A	36W max.	CE/GS/EMC,TUV/BS	V&VI	EN/IEC60335/6155 8

■ Dimension Diagram for KRE36E Unit:mm



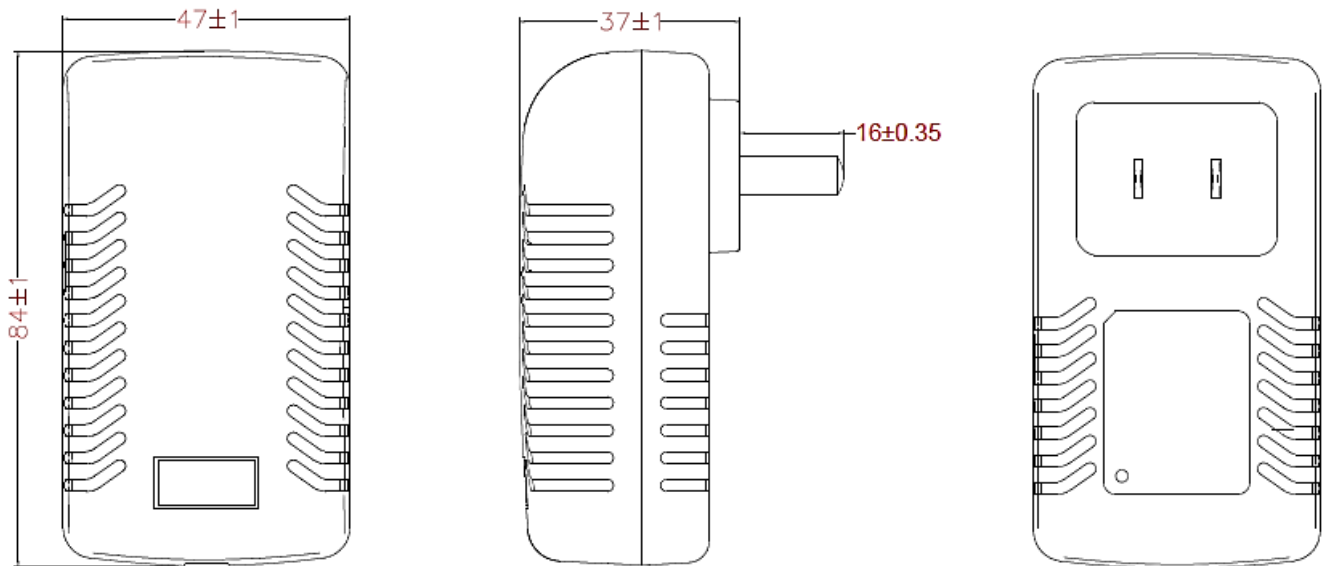
■ Dimension Diagram for KRE36U and KRE36J

Unit:mm



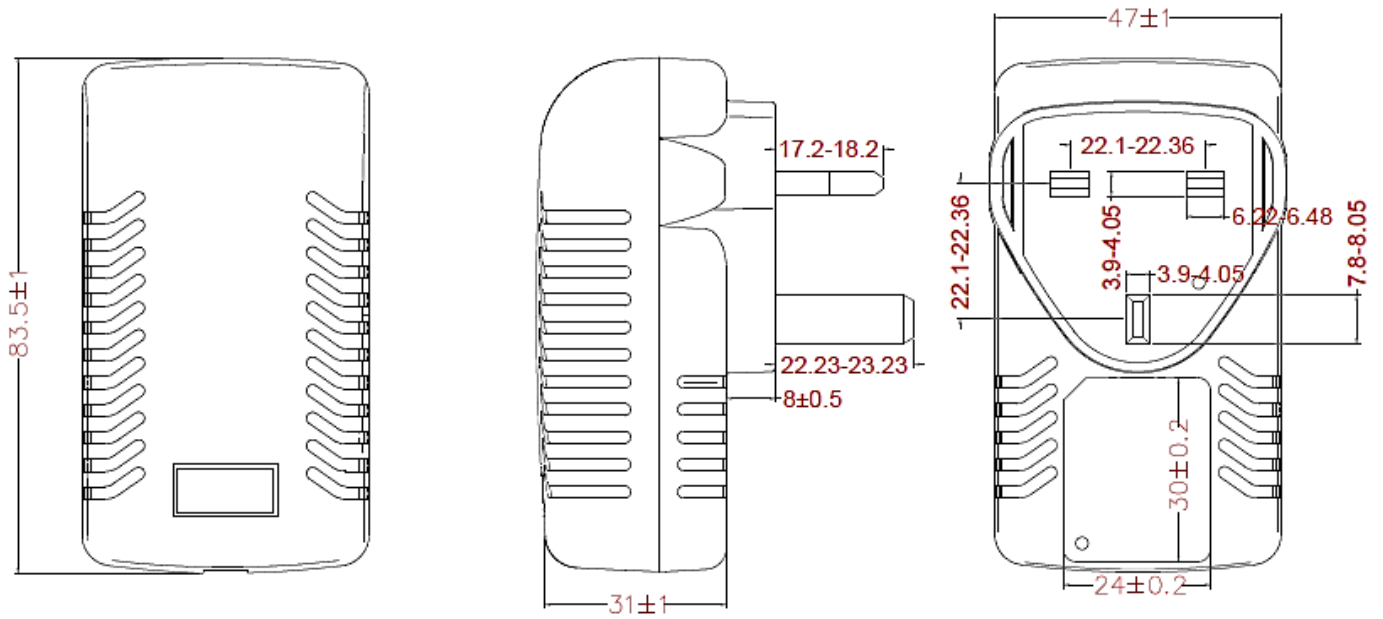
■ Dimension Diagram for KRE36C

Unit:mm



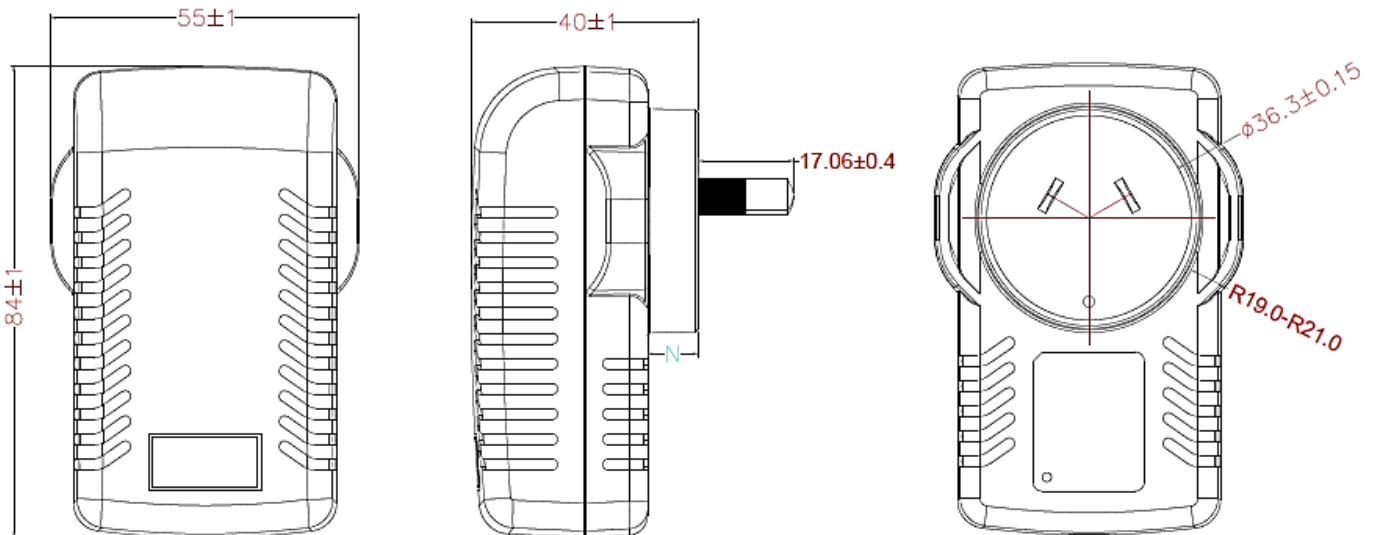
■ Dimension Diagram for KRE36BS

Unit:mm



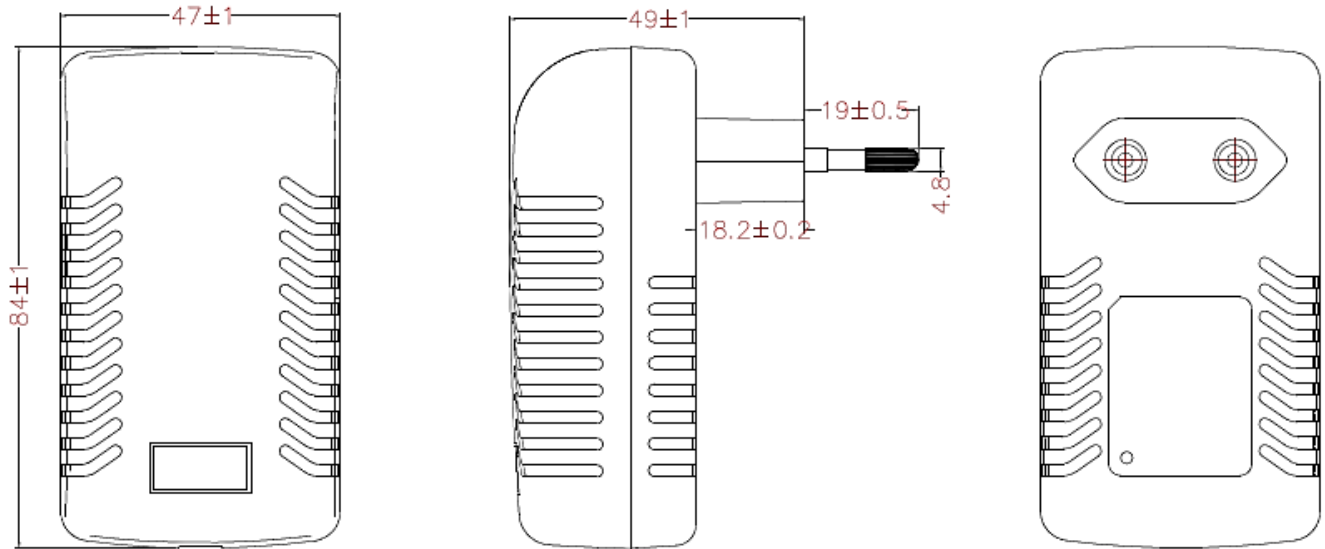
■ Dimension Diagram for KRE36S

Unit:mm



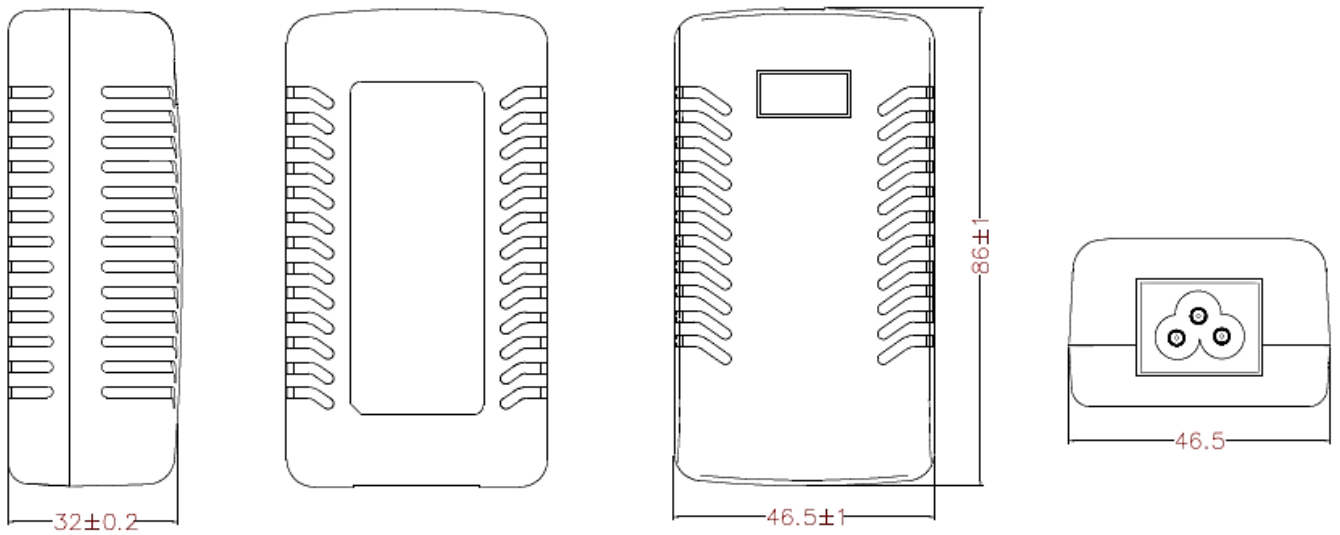
■ Dimension Diagram for KRE36K

Unit:mm



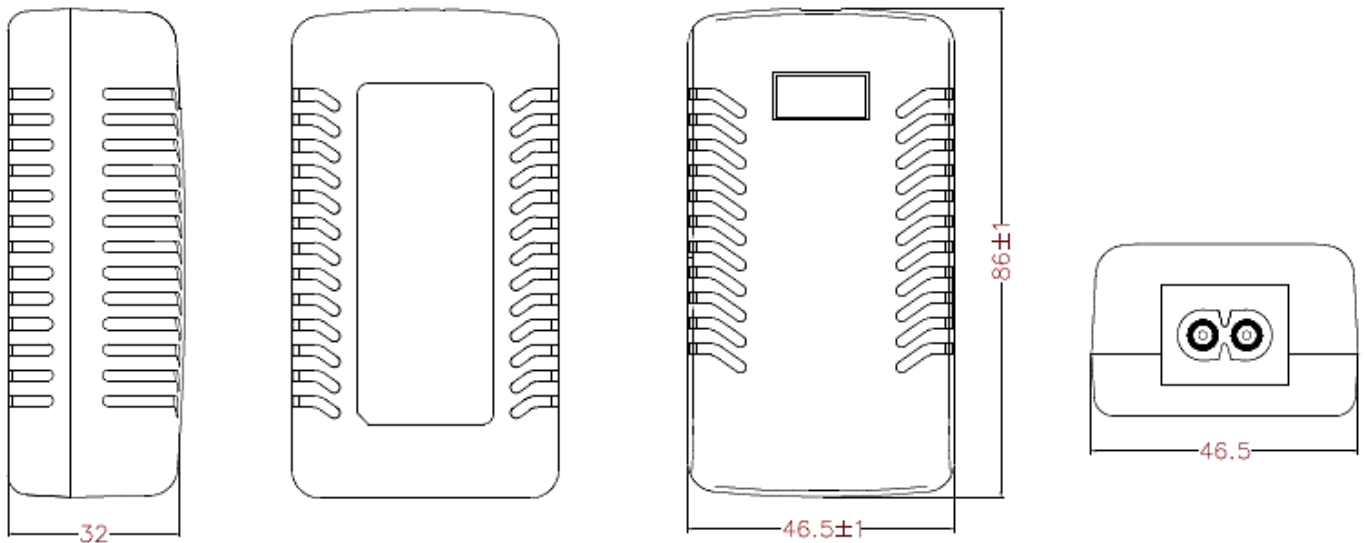
■ Dimension Diagram for KRE36A-C6

Unit:mm



■ Dimension Diagram for KRE36A-C8

Unit:mm



- (1) X = A for Class I version, B for Class II version, E for EU version, U for US version, C for Chinese version, BS for UK version, S for Australian version, J for Japanese version, K for South Korea version, R for Argentina version, Z for South Africa (3 Big pins) version, I for Interchangeable version, D for Desktop
- (2) xxx for Output voltage and yyy for output current, what you are going to order, please must specify to sales.
- (3) Safety approvals according to the plug type Z or F are variables, which are different from each other, for example, 0 for European plug, 1 for British plug, 2 for Australian plug, 3 for USA plug, 4 for Japan plug, 5 for China plug, 6 for Korea plug, 7 for South Africa plug, 8 for India plug, 9 for Argentina plug, I for interchangeable plugs, D for AC inlet desktop type, DG/OG for Gigabit type, DM/OM for Megabit type, DGS for Gigabit Surge type, Z can be U and F can be U, H, V, etc.
- (4) Safety model number differs from the order number, part number, and shape number as per respective OEM/ODM factories.

Kreco is not responsible for any error, and reserves the right to make changes without notice. Please visit our website at <https://www.kreco.com.cn> for the most up-to-date specifications and contact information.