



■ AC Plug Type

AC plug type	2 pin Euro	2 pin USA	2 Pin China	3 pin UK	2 pin AU	2 pin JP	2 pin KR	2 pin AR	3 pin South Africa	Interchangeable
Shape No.	KRE24SE	KRE24SU	KRE24SC	KRE24SB	KRE24SS	KRE24SJ	KRE24SK	KRE24SR	KRE24SZ	KRE24SI

■ Features

- Universal AC input Full range
- 2 pole US, EU, AU/NZ, EK, JP, AR,CN and 3 pole UK plug, Class II power unit
- No load power consumption < 0.1W
- Energy efficiency Level VI
- Comply with EISA 2007 / DoE and NRCAN
- Protections: Short circuit / Overload /Over voltage
- Fully enclosed plastic case
- Wide range working temperature

■ Applications

- Consumer electronic devices
- Telecommunication devices
- Office facilities
- Industrial equipment



■ Description

KRE24Sx is a highly reliable, 24W wall-mounted style single-output green adaptor series. This product is a class II power unit (no FG), equipped with standard AC power plug, adopting the input range from 90VAC to 264VAC. The entire series supplies different models with output voltages ranging between 5VDC and 24VDC that can satisfy the demands for various types of consumer electronic devices.

■ Mechanical Characteristics

- see below Dimension Diagrams
- Weight: 100g

■ **Characteristics**

Input:

AC Input Voltage Rating

100 to 240VAC

AC Input Voltage Range

90 to 264VAC

AC Input Frequency

47 to 63Hz

Input Current

0.66A (RMS) maximum at 120VAC 0.25A (RMS) maximum at 240VAC

Leakage Current

0.25A maximum at 264VAC

Inrush Current (Cold Start at ambient 25° C)

30A for 120VAC and maximum load 60A for 240VAC at maximum load

Input Power Saving

0.1W maximum at no load

Output: Efficiency

Meet energy saving efficiency level VI.

Hold-up Time

10mS minimum at 120VAC and maximum load

Short-Circuit Protection

Auto restart

Environmental Temperature

Operation 0 to +40° C

Non-operation -40 to +85° C

Humidity 10-90% non-condensing

Emissions

Complies with FCC Class B Complies with EN55032 Class B

Immunity

AN/NZS CISPR22

EN55024 J55022(H22)

EN61000-4-2 Level EN61000-4-3 Level

EN61000-4-4 Level EN61000-4-5 Level

EN61000-4-6 Level EN61000-4-8 Level

EN61000-4-11 Level EN61000-3-2 Level

EN61000-3-3 Level

GB9254+GB1762

Dielectric Withstand (Hi-pot) Test Primary to Secondary:

3500V AC for 1 min., 10mA

Primary to F.G.: 1500V AC for 1 min., 10mA

DC Output Connector

2.1 x 5.5mm Center Positive+ Standard or equivalent,

Or see *KRE-connectors-Spec.pdf*

Output Cable

1.5 meter (4.92 feet), UL2468, from 24-18AWG gauge or equivalent

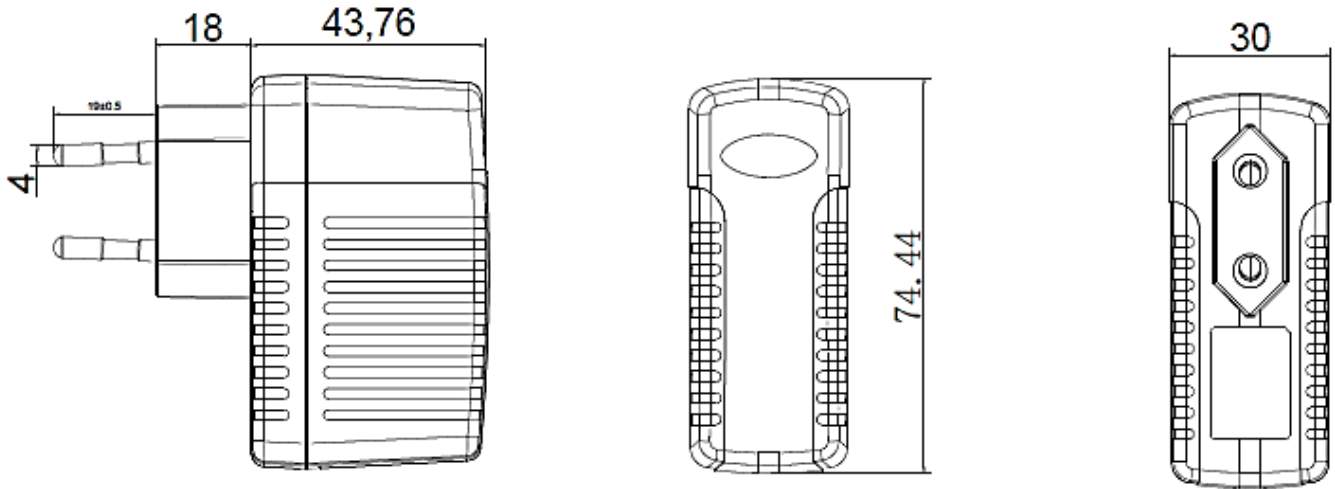
Mating Connector

Equivalent

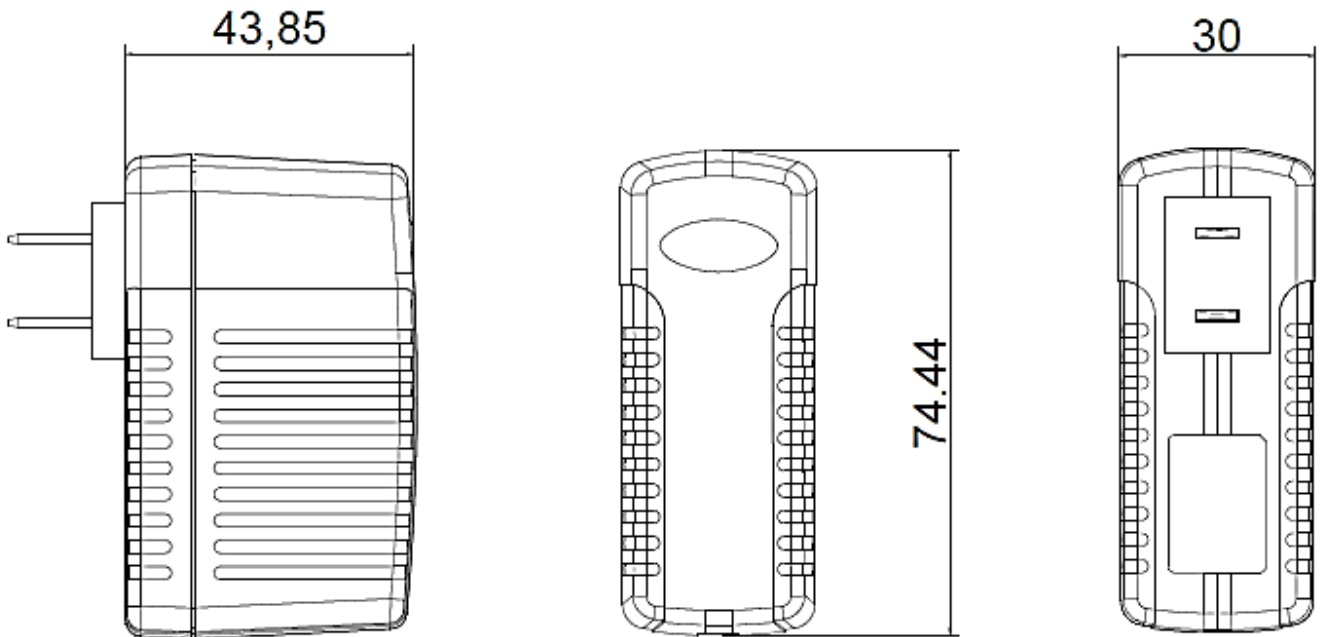
■ Output Specifications

Model No.(2)(3)(4)	DC Output Voltage	Load		Output Power	Safety Approvals	Energy Saving Level	Standards
		Min	Max				
KRE024SPS-xxxxyyzf or KRE-xxxxyyZ or LY024SPS-xxxxyyzf	5.0- 8.9V	0.01A	3.0A	18W max	UL/CUL/FCC,CE/GS/EMC,TUV/BS,RCM,CCC/CQC,EK,PSE	V&VI	EN/IEC60065,UL62368
	9.0- 14.9V	0.01A	2.0A	24W max	UL/CUL/FCC,CE/GS/EMC,TUV/BS,RCM,CCC/CQC,EK,PSE	V&VI	EN/IEC60065,UL62368
	15.0- 24.0V	0.01A	1.6A	24W max	UL/CUL/FCC,CE/GS/EMC,TUV/BS,RCM,CCC/CQC,EK,PSE	V&VI	EN/IEC60065,UL62368
	5.0- 8.9V	0.01A	3.0A	18W max	UL/CUL/FCC,CE/GS/EMC,TUV/BS,RCM Interchangeable	V&VI	EN/IEC60065,UL62368
	9.0- 14.9V	0.01A	2.0A	24W max	UL/CUL/FCC,CE/GS/EMC,TUV/BS,RCM Interchangeable	V&VI	EN/IEC60065,UL62368
	15.0- 24.0V	0.01A	1.6A	24W max	UL/CUL/FCC,CE/GS/EMC,TUV/BS,RCM Interchangeable	V&VI	EN/IEC60065,UL62368

■ Dimension Diagram for KRE24SE Unit:mm

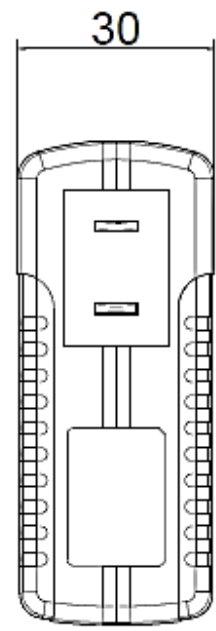
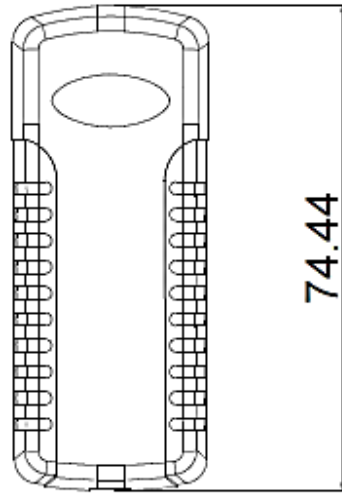
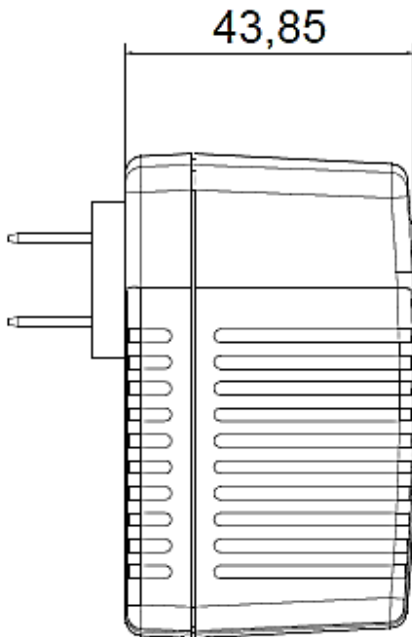


■ Dimension Diagram for KRE24SU and KRE24SJ Unit:mm



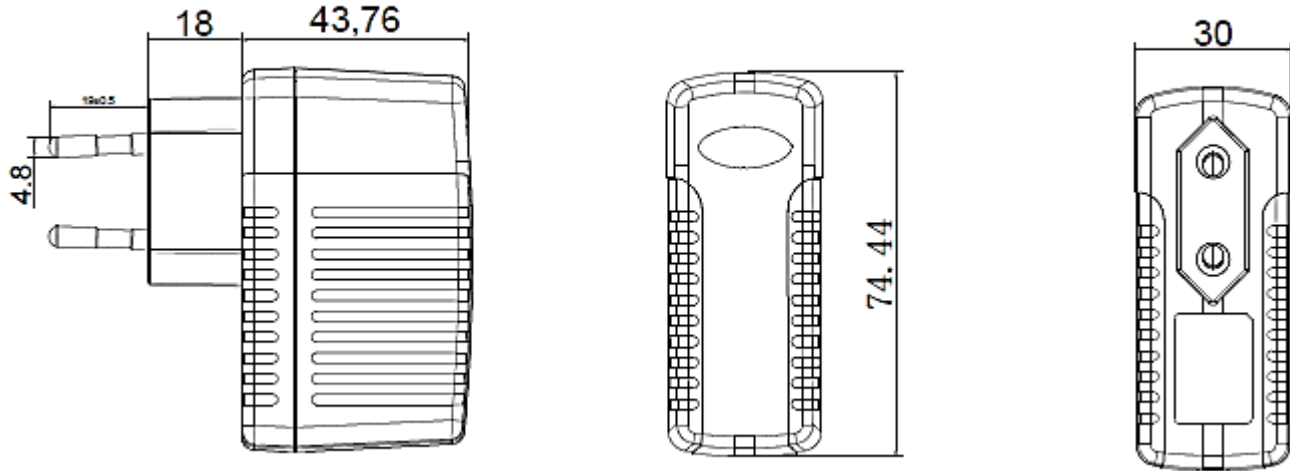
■ Dimension Diagram for KRE24SC

Unit:mm



■ Dimension Diagram for KRE24SK

Unit:mm



- (1) X = E for EU version, U for US version, C for Chinese version, B for UK version, S for Australian version, J for Japanese version, K for South Korea version, R for Argentina version, Z for South Africa (3 Big pins) version, I for Interchangeable version,
- (2) xxx for Output voltage and yyy for output current, what you are going to order, please must specify to sales.
- (3) Safety approvals according to the AC plug type, which is different from each other.
- (4) Safety model number differs from the order number, part number, and shape number as per respective OEM/ODM factories.

Kreco is not responsible for any error, and reserves the right to make changes without notice. Please visit our website at www.kreco.com.cn for the most up-to-date specifications and contact information.